

# 1260 Commissioning valve

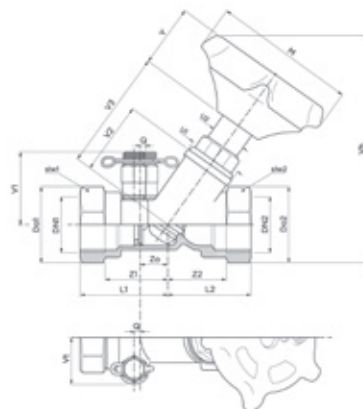


## specification

- all sizes PN20
- regulation, isolation and flow measurement functions
- Y pattern body
- handle position indicator
- DZR brass body
- meets BS7350
- includes memory stop
- includes test points
- ISO 228G parallel thread

DN	Connection	ISO 288 (PT) parallel	Total (kg)	Cv	Kv
DN15	½" ULF	126039	0.57	0.228	0.195
DN15	½" LF	126022	0.58	0.468	0.400
DN15	½" MF	126043	0.58	1.168	0.998
DN15	½"	126023	0.57	2.176	1.860
DN20	¾"	126024	0.64	2.656	2.270
DN25	1"	126025	0.90	7.149	6.110
DN32	1 ¼"	126026	1.31	14.801	12.650
DN40	1 ½"	126027	1.61	22.230	19.000
DN50	2"	126028	2.66	33.251	28.420

\*Cv - flow rate in US GPM at a pressure drop of 1 psi.  
 \*Kv - flow rate in m3 per hour at a pressure drop of 1 bar.



### Dimensions (mm)

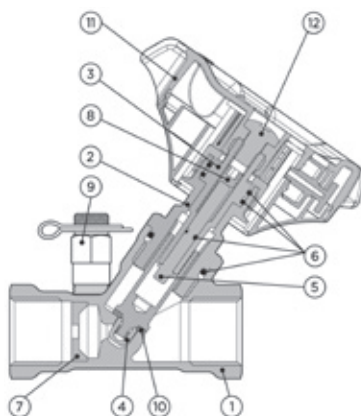
	Do1/Do2	DN1/DN2	L1/L2	M	M1	Q	slw1/sl2	U1	U2	V1	V2	V3	Vh	Vt	Y	Z1/Z2	Zo
DN15	27.0	½" ULF	40.0	89.0	9.0	5.0	27.0	26.0	20.0	48.0	30.0	58.0	118.0	20.0	38.0	30.0	20.0
DN15	27.0	½" LF	40.0	89.0	9.0	5.0	27.0	26.0	20.0	48.0	30.0	58.0	118.0	20.0	38.0	30.0	20.0
DN15	27.0	½" MF	40.0	89.0	10.0	5.0	27.0	26.0	20.0	48.0	30.0	58.0	118.0	20.0	38.0	30.0	20.0
DN15	27.0	½"	40.0	89.0	10.0	5.0	27.0	26.0	20.0	48.0	30.0	58.0	118.0	20.0	38.0	30.0	20.0
DN20	32.0	¾"	43.0	89.0	10.0	5.0	32.0	26.0	20.0	51.0	35.0	64.0	125.0	20.0	38.0	33.0	23.0
DN25	39.0	1"	44.0	89.0	11.0	5.0	39.0	30.0	21.0	55.0	35.0	63.0	128.0	20.0	38.0	34.0	24.0
DN32	50.0	1 ¼"	61.0	89.0	11.0	5.0	50.0	42.0	21.0	59.0	53.0	82.0	148.0	20.0	38.0	47.0	41.0
DN40	55.0	1 ½"	64.0	89.0	12.0	5.0	55.0	50.0	25.0	62.0	53.0	85.0	153.0	20.0	38.0	50.0	44.0
DN50	70.0	2"	79.0	89.0	13.0	5.0	70.0	57.0	21.0	69.0	64.0	103.0	175.0	20.0	38.0	66.0	59.0

### Material specification

Nr	Component	Material
1	Body	DZR Brass
2	Bonnet	DZR Brass
3	Spindle	DZR Brass
4	Disc	DZR Brass
5	Gland	DZR Brass
6	"O" rings	EPTO
7	Orifice plate	DZR Brass
8	Adjustment screw	DZR Brass
9	Test points	DZR Brass
10	Seals	EPTO
11	Handle	30% glass filled Nylon 66
12	Set screw	Brass

### Maximum pressure conditions

Size	Max Pressure (bar)	Min/Max Temperature (°C)	Test Pressure Shell (bar)	Test Pressure Seat (bar)	Max Pressure (psi)	Min/Max Temperature (°F)	Test Pressure Shell (psi)	Test Pressure Seat (psi)
¼" to 2"	20.0	-10°C + 120°C	30.0	22.0	290.1	14°F + 248°F	435.1	319.1



### Pressure equipment directive category

All sizes classified SEP